

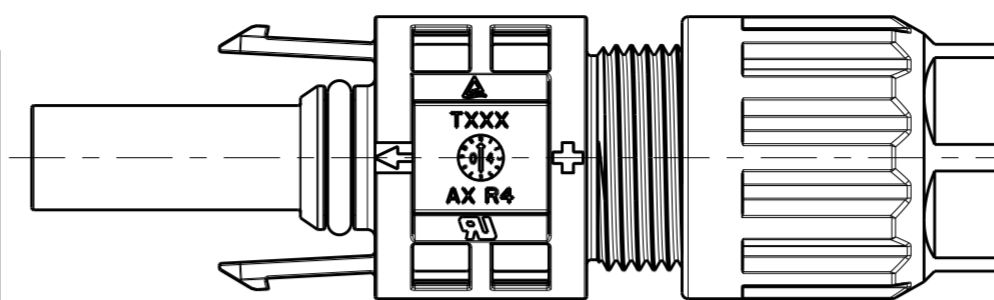
LOC	DIST	REVISIONS					
		P	LTR	DESCRIPTION	DATE	DWN	APVD
-	-	A5		ADD PV4-S1 RATING INFORMATION	25MAY2016	LW	PY
		A6		ADD NOTE 4	18JUL2016	SG	PY

1 SPECIFICATION:

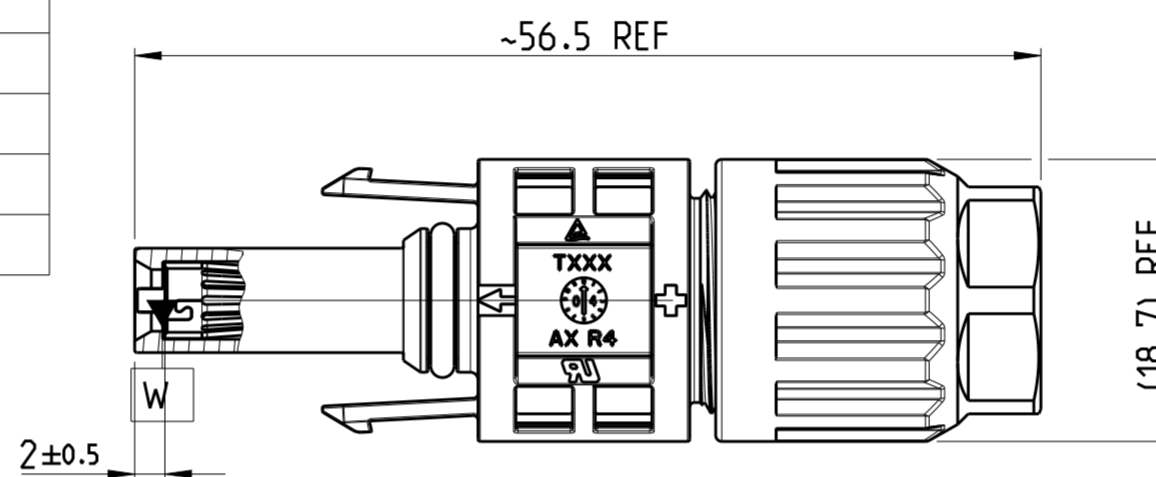
CABLE CONDUCTOR SIZE	2.5MM2/14AWG	4.0MM2/AWG12	6.0MM2/AWG10
RATED CURRENT (AT 85°C AMBIENT)	UL 15A DC TUV 25A DC	UL 20A DC TUV 35A DC	UL 30A DC TUV 40A DC
RATED VOLTAGE	PV4-S: UL 1000V DC / TUV 1000V DC PV4-S1: UL 1500V DC / TUV 1500V DC		
DEGREE OF PROTECTION, MATED	IP 68 (1m, 24h)		
AMBIENT TEMPERATURE RANGE	-40°C ~ +85°C		
OVERVOLTAGE CATEGORY	III		
POLLUTION DEGREE	2		
CONTACT RESISTANCE	0.5mΩ		
CONTACT MATERIAL	COPPER, TIN PLATED		
INSULATION MATERIAL	THERMOPLASTIC, UL94-V0		
SAFETY CLASS	II		
STRIP LENGTH	6.5mm		
CABLE JACKET DIAMETER	5.5~7.8mm		

2 CONTACT SHOWN UNINSTALLED, FOR REFERENCE ONLY

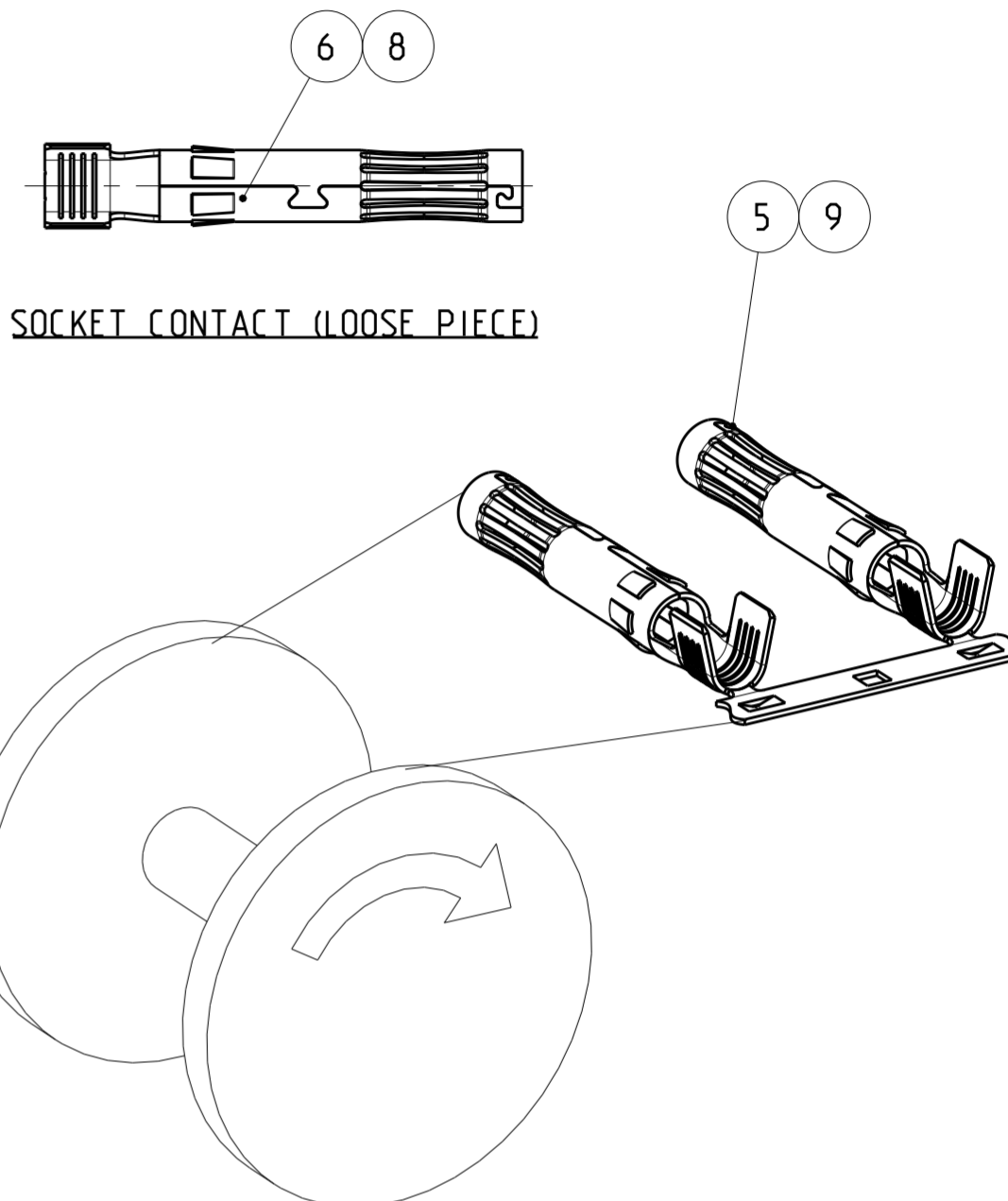
- 3 USE ONLY CRIMPING TOOL OF TE CONNECTIVITY TO CRIMP CONTACT.  
 A. CRIMPING TOOL PN 6-1579014-9 WILL BE USED FOR CRIMPING THE CONTACTS HAVING WIRE SIZE 2.5mm<sup>2</sup> AND 4.0mm<sup>2</sup>.  
 B. CRIMPING TOOL PN 6-1579014-8 WILL BE USED FOR CRIMPING THE CONTACTS HAVING WIRE SIZE 4.0mm<sup>2</sup> AND 6.0mm<sup>2</sup>.  
 4. PLEASE SEE 114-137077 FOR ASSEMBLY PROCESS



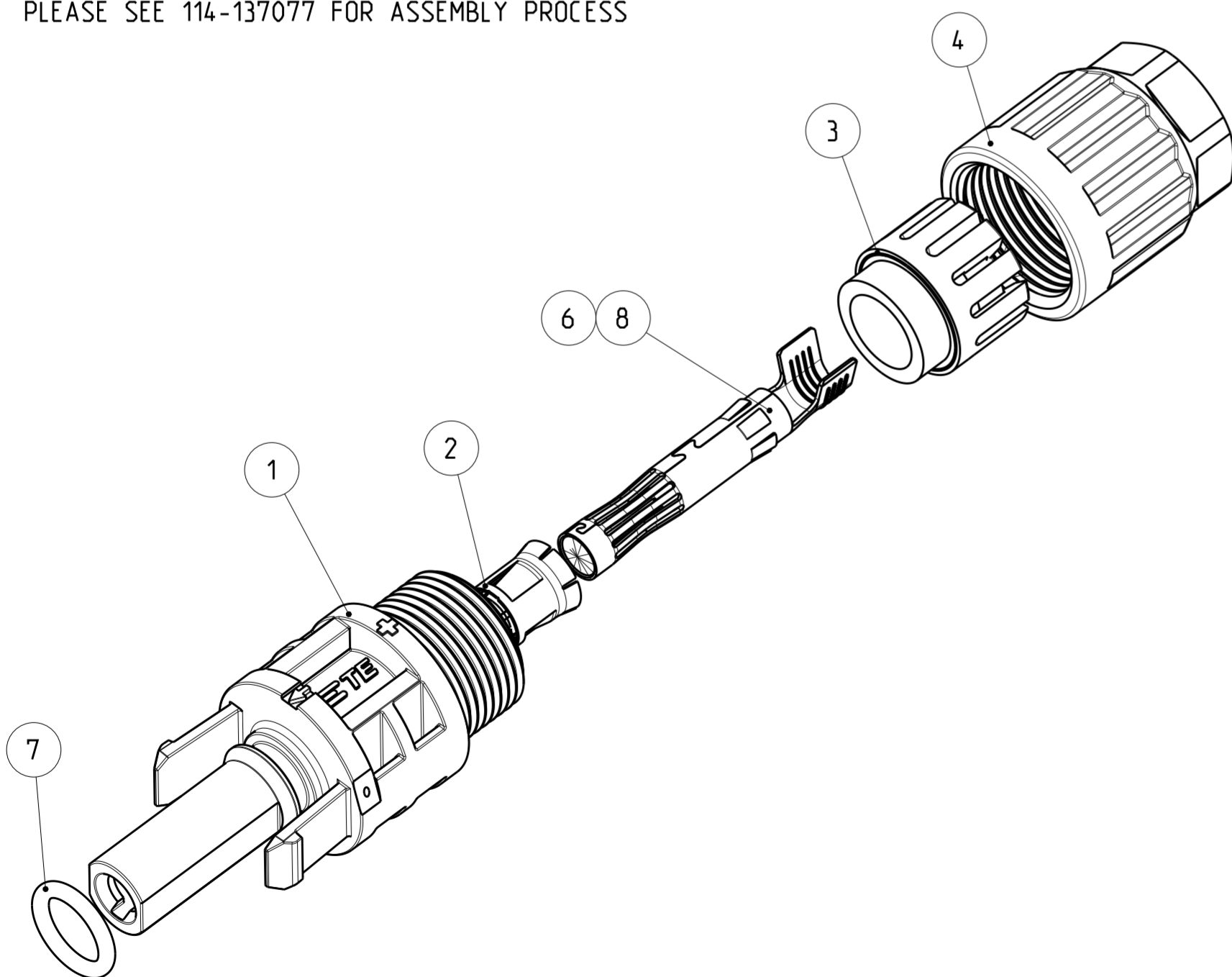
PREASSEMBLED VIEW AS SHOWN



ASSEMBLED VIEW AS SHOWN



STRIP CONTACT COME OFF TO ASSEMBLY  
 2000 PCS CONTACTS MOUNTED REEL  
 REEL TYPE SUBJECT TO ALTERNATION -1 AS SHOWN



CONNECTOR ASSEMBLY SHOWN EXPLODED VIEW FOR REFERENCE ONLY

2- -4	1- -4	-4	2- -2	2- -1	1- -2	1- -1	-2	-1	PART NUMBER	
100	2000	1000	100	2000	1000				PACKAGING QTY.	
	5.5~6.0		5.5~6.0	6.0~7.8	5.5~6.0	6.0~7.8	5.5~6.0	6.0~7.8	CABLE JACKET DIAMETER in mm	
-	1	-	-	-	-	-	-	-	SOCKET CONTACT, 2.5mm <sup>2</sup> /14AWG, STRIP	9
1	-	1	-	-	-	-	-	-	SOCKET CONTACT, 2.5mm <sup>2</sup> /14AWG, LOOSE PIECE	8
1	1	1	1	1	1	1	1	1	O-RING, 7.1X1.55 (RED)	7
-	-	-	1	1	-	-	1	1	SOCKET CONTACT, 4~6mm <sup>2</sup> /10~12AWG, LOOSE PIECE	6
-	-	-	-	-	1	1	-	-	SOCKET CONTACT, 4~6mm <sup>2</sup> /10~12AWG, STRIP	5
1	1	1	1	1	1	1	1	1	CABLE SCREW JOINT	4
1	1	1	1	1	1	1	1	1	PINCH RING SEAL INMOLDED, ASSY	3
1	1	1	1	1	1	1	1	1	METAL CLIP	2
1	1	1	1	1	1	1	1	1	PV4-S SOCKET CONNECTOR, PLUS CODED	1
QUANTITY PER ASSEMBLY									DESCRIPTION	ITEM No

THIS DRAWING IS A CONTROLLED DOCUMENT.

DIMENSIONS: mm	TOLERANCES UNLESS OTHERWISE SPECIFIED:	DWN: WANG LORRY 13JUN2014	CHK: TAO DANIEL 13JUN2014	APVD: PETER YIN 13JUN2014	NAME: SOCKET CONNECTOR KITS
	0 PLC ±	PRODUCT SPEC: 108-137077			SIZE: A2
	1 PLC ±	APPLICATION SPEC: 114-137077			CAGE CODE: 00779
	2 PLC ±	WEIGHT: -			DRAWING NO: C-2270025
	3 PLC ±	CUSTOMER DRAWING			RESTRICTED TO: -
	4 PLC ±	SCALE: 1:1			SHEET 1 OF 1
	ANGLES ±	REV: A6			
	FINISH ±				